

**Vernis Blend**  
**Ceiling connector 30 cm**  
 Surfaces: **Chrome** Article Number: **27805000**



## Description

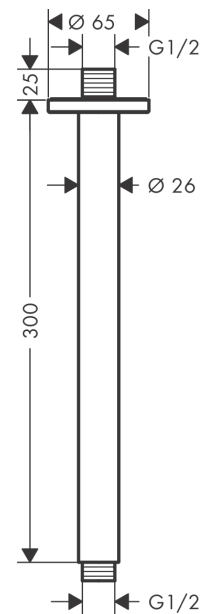
### product features

- length: 300 mm
- shaft Ø: 26 mm
- installation type: exposed installation
- material: solid brass
- connection type: G ½ NPT
- connection thread G ½
- connection dimension G ½

## Product image



## Scale drawing

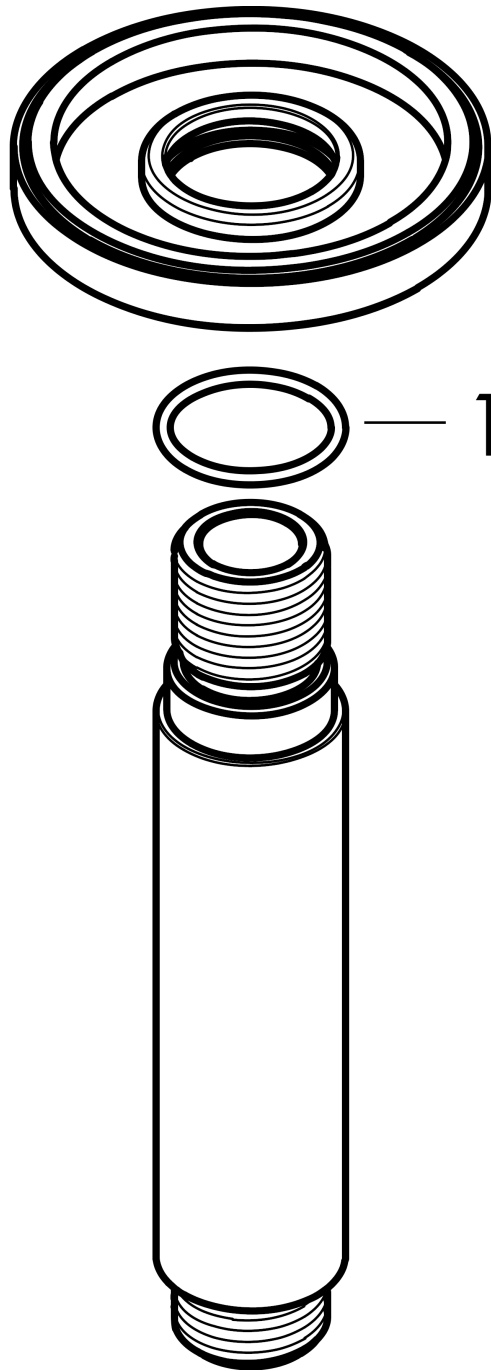


Vernis Blend  
 Ceiling connector 30 cm  
 Surfaces: **Chrome** Article Number: 27805000



Exploded Drawing

Year of production: >01/21



**Vernis Blend**  
**Ceiling connector 30 cm**  
 Surfaces: **Chrome**    Article Number: **27805000**



### Spare part list

Year of production: >01/21

Pos.	Description	Article Number	Price	PU
1	O-Ring 22x2	98185000	-	1